

NAME: LED Street Light

P/N: STL-70362-65

Advantages

- UL, cUL
- PHILIPS LUMILEDS chip, high CRI.
- 90 x 150 degree, TYPE III.
- Internal driver, input voltage 100-277V AC.
- E26 amp base.
- Lamp Base: 270 degree rotated.
- New style and high efficient wide-range input.
- Long lifespan and good heat dissipation.
- Direct replacement for Metal Halide, easy Installation.
- Fits many different fixtures to replace traditional lamps.



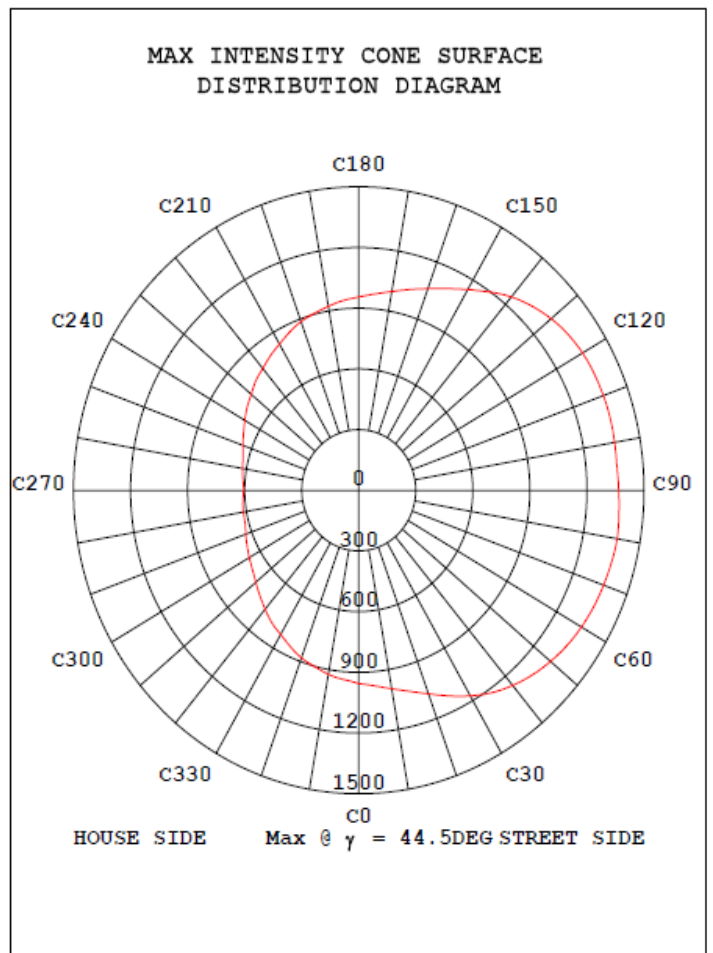
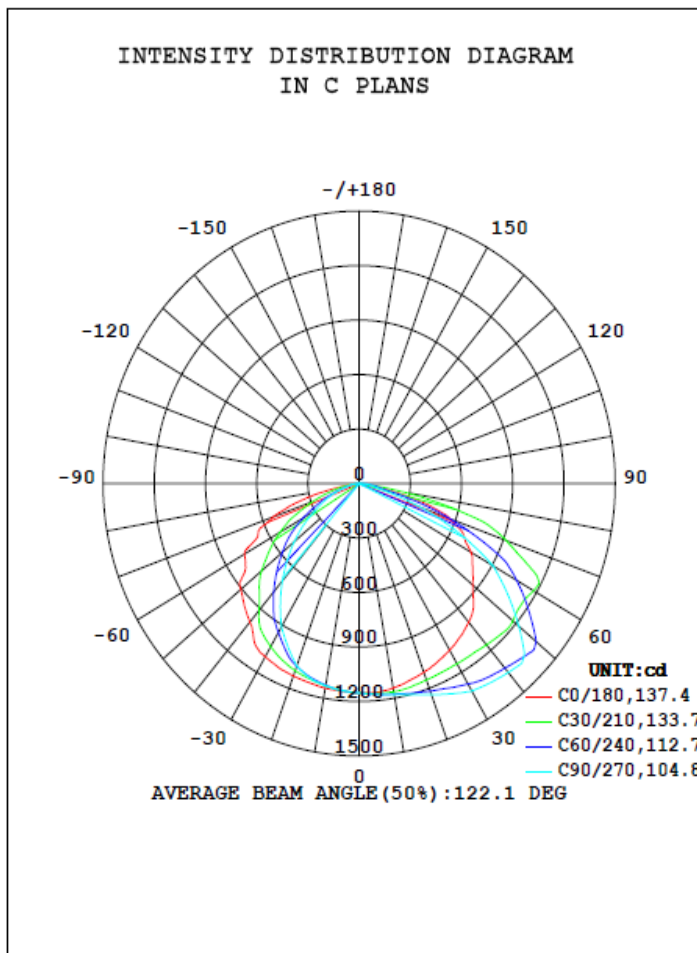
Applications

LED Retrofit Kit make it simple to replace: parking lot lighting, shoebox lighting, street lighting, flood lighting, wall pack lighting, and canopy lighting etc.

PRODUCT SPECIFICATIONS	
Product name	LED Street Light
Part No.	STL-70362-65
Lamp Base	E26
Dimension	9.2" x 4.4" x 3.2" (233mm x 113mm x 80mm)
Technical Characteristics	
Color temperature	5000K
CRI	> 70
Lumen	4500 lm
Lumen Efficacy	120 lm/W
Input Power	36W
Viewing Angle	90 x 150 degree (TypeIII)
Input Voltage	100-277V AC 50/60Hz
PFC	>0.9
Equivalent	80W CFL, 150W MHL/HPS/HID
Waterproof Rating	IP51
MATERIALS	
LED Brand	PHILIPS LUMILEDS
LED Type	LUXEON 3030 2D (1.5W)
LED QTY	84 PCS
Housing	Magnesium Alloy+AL+PC
Housing color	Black+Silver
OTHER	
Operating Temperature	-4°F to +113°F (-20°C to +45°C)
Operating Humidity	20%-70% RH
Storage Temperature	-22°F to +176°F (-30°C to +80°C)
Storage Humidity	10%-75% RH
Application	Shoeboxes, streetlights, floodlights, wall packs, and canopies
Safety Certification	UL, cUL
Warranty Time	5 years

Remark: The testing data comes directly from the product test.

DATA OF LAMP		PHOTOMETRIC DATA Eff: 122.69 lm/W			
MODEL		I _{max} (cd)	1379	η street_up (%)	0.0
NOMINAL POWER (W)	36	LOR (%)	100.0	η street_down (%)	61.3
RATED VOLTAGE (V)	120	TOTAL FLUX (lm)	4088	η house_up (%)	0.0
NOMINAL FLUX (lm)	4087.85	MAXIMUM @ (C, γ)	80, 44.5	η house_down (%)	38.7
LAMPS INSIDE	1	η up (%)	0.0	76 FLASHAREA (m2)	0.05000
TEST VOLTAGE (V)	120	η down (%)	100.0	SLI	19.937

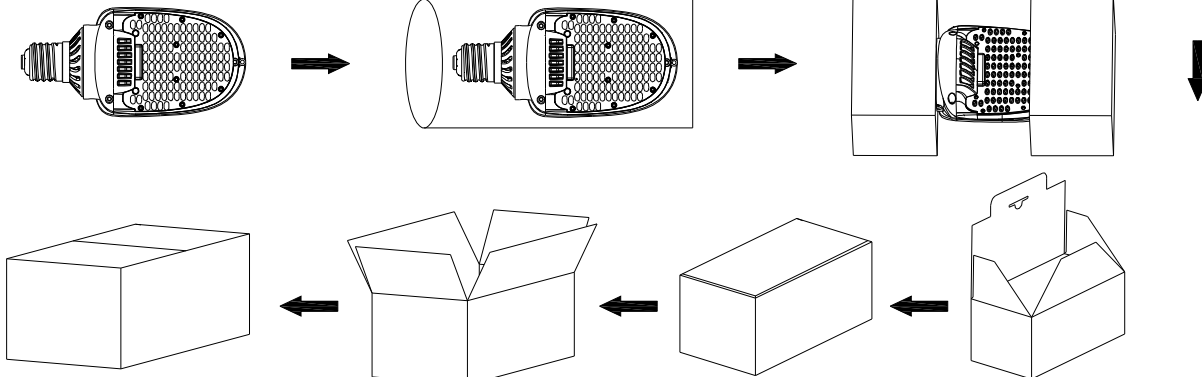


Package

LED Retrofit Kit

Into PE bag

Into EPE



Joint sealing

Into outer box

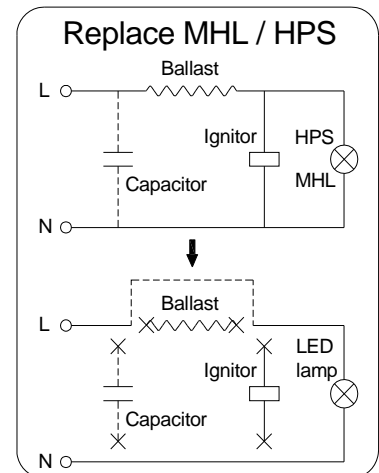
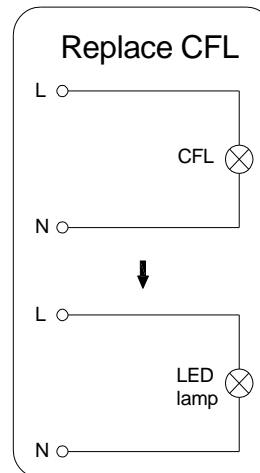
Cover inner box

Into inner box

	Size	Qty/ Carton	Net Weight/ Carton	Gross Weight/ Carton
Inner box	11.4" x 5.3" x 1.1"	1	1.6 lbs	1.9 lbs
Outer box	22" x 12" x 9"	8	12.8 lbs	17.4 lbs

Notice For User

- Turn off power before installing or changing assembly parts.
- The input voltage and lamps should be matched, after connecting the power line, make sure the wiring section is insulated.
- Make sure to remove or bypass the ballast in the fixtures before installing the lamps.
- Suitable for damp locations. Do not use with dimmers.
- Suitable for use in enclosed luminaires, min. lamp compartment dimensions: 15" x 7.9" x 7.9".
- Non-professionals must not install or disassemble the lamps.



Troubleshooting

Problem	Check points
Flickering of the lamp	Turn off the power and turn on again in 3 minutes. If same phenomena occurs, call a technician
Not working	Check the connections

Exxon Lighting Corporation

Tel: +1-941-404-6437
www.exxonlighting.com

Fax: 1-866-619-0925
E-mail: sales@exxonlighting.com