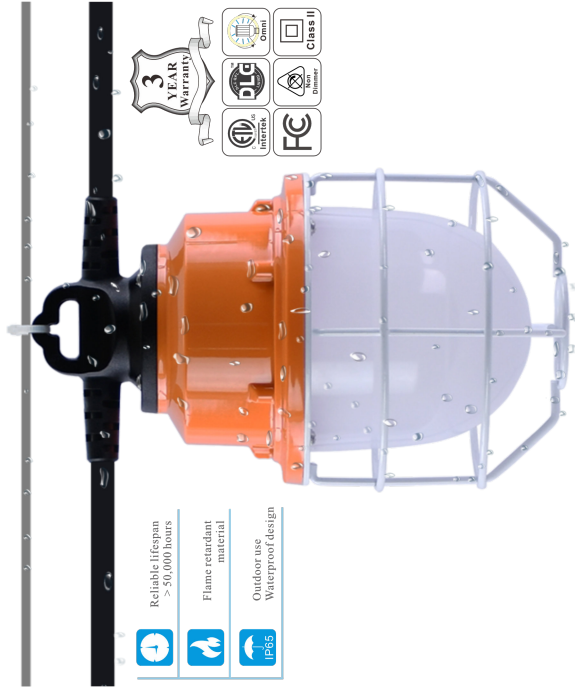
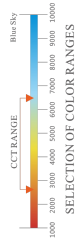


## LED STRING LAMP

5 x 20w Connectable



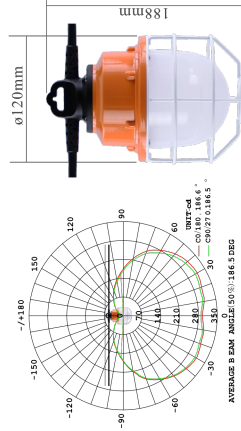
- Reliable lifespan >50,000 hours
- Flame retardant material
- Outdoor use Waterproof design

- UL
- DLC
- FC
- EneC
- Dimmer
- Class II

- 
- RoHS (compliant)
- 

## Specifications

AC Input	100-277VAC 50/60Hz
Wattage	20W±10%
PF	≥0.9
THD	<20%
LED Qty	72 PCS SMD2835
CRI	≥80
Lumen±5%	2,100 lm
CCT	2700-6500K
Dimensions	188mm (7.4") 120mm (4.7") 84.2mm (3.3")

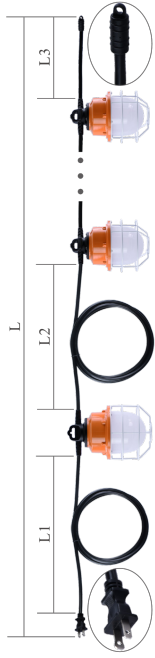


- LED
- 10 Years Long Life
- Dimmable
- ON/OFF
- IP65
- Non Flammable
- RoHS
- IEC
- CRI ≥80
- ta
- PF ≥0.9
- THD <20%

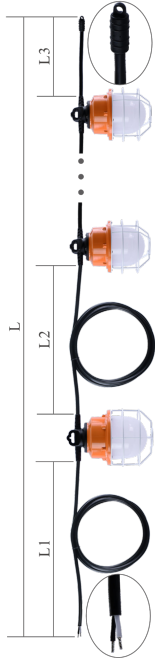


Model No.	Input	Wattage	L1	L2	L3	L	Weight	Carton size	Per Carton
HA11-5-20W-M-xxK-3P	100-277VAC 50/60Hz	100W±10%	3M 10"	1.5M 6.2M 10"	1.5M 6.2M 10"	10.401m 34.14ft	10.401kg 22.92lb	1054x514x154mm 41.1x20.2x6.1"	1pc 100% 6.6kg/12.4lb
HA11-10-20W-M-xxK-3P	100-277VAC 50/60Hz	200W±10%	3M 10"	3M 10.2M 10"	3M 10.2M 10"	10.401m 34.14ft	21.80kg 48.05lb	700x310x425mm 27.56x12.21x16.73"	1pc 100% 6.6kg/12.4lb

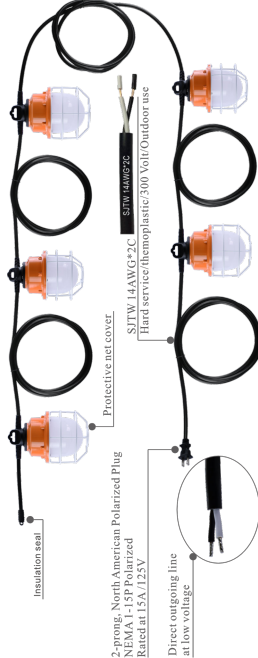




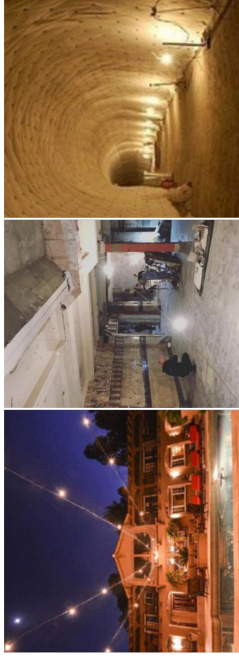
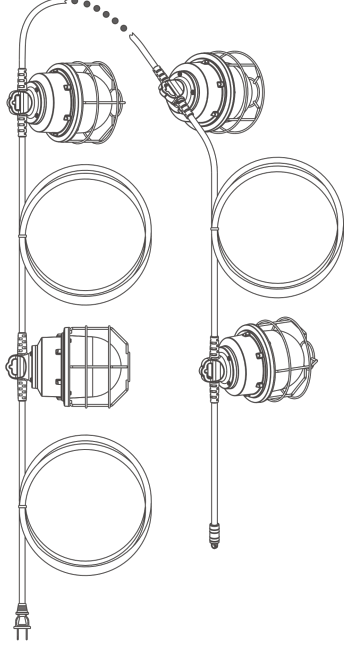
Model No.	Input	Wattage	L1	L2	L3	L	Weight	Carton size	Per Carton
HA11-5*20W-M-xxK	100-277VAC 50/60Hz	100W±10%	3M 10ft	0.2M 8"	15.78M 51.77ft	NW4.59kg 10.14lbs	700*180*H215mm 27.56*7.09*8.47"	1pc GW5-35kg/11.80lbs	1pc GW5-35kg/11.80lbs
HA11-10*20W-M-xxK	100-277VAC 50/60Hz	200W±10%	3M 10ft	0.2M 8"	31.56M 102.89ft	NW9.18kg 20.17lbs	700*310*H215mm 27.56*12.61*8.47"	1pc GW10.35kg/22.82lbs	1pc GW10.35kg/22.82lbs



Model No.	Input	Wattage	L1	L2	L3	L	Weight	Carton size	Per Carton
HA11-5*20W-X-xxK	24V AC/DC	100W±10%	3M 10ft	0.2M 8"	15.78M 51.77ft	NW4.59kg 10.12lbs	700*180*H215mm 27.56*7.09*8.47"	1pc GW5-34kg/11.77lbs	1pc GW5-34kg/11.77lbs



- '5' \*20W' stands for 5 pcs 20W lamp, '10' \*20W' stands for 10 pcs 20W lamp.
- 'M' stands for Input 100-277V AC, 'X' stands for Input Low Voltage 24V.
- 'xxK' stands for color temperature. Example: '50K' stands for 5000K( Kelvin Temperatures may vary +/- 250K).
- '3p' stands for 3-Plug and Connectable.
- 'L1', 'L2', 'L3' Custom length of Please inquire. Extending the power cord may increase the size of the package.
- DLC not available for all CCT. Please inquire.



### ⚠ CAUTIONS

- Suitable for damp locations.
- Risk of electric shock. Do not expose the plug to water.
- Do not use with dimmers.
- Don't take apart the lamps without our permit.

sales@exxonlighting.com

800-769-3221

8388 S Tamiami Trail, Sarasota, Florida, 34238